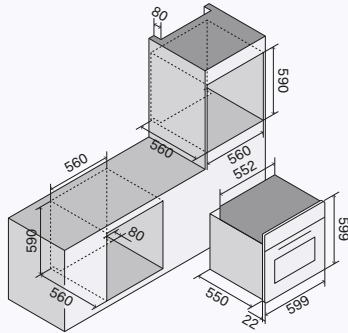


# OV601GT3

60 cm electronic oven, tempered glass, 60 cm, 30-320°C



### General features

- Energy class A+
- Operating temperature 30-320°C
- Programmer electronic touch TFT
- Electronic temperature control
- Cooking probe
- Lighting double internal light
- Automatic light switch-on when door opens
- Full glass oven door
- Soft-closing door
- Door glass with triple glass (EN60335-2-6-11.101)
- High density insulation
- Ventilation cooling tangential
- Child safety

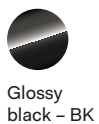
### Cavity features

- Muffle with easy clean enamel
- Internal dimensions 43,7×36×41 cm
- Capacity 65 L
- Steam discharge controlled with dry or moist cooking option
- Folding grill heating element
- Thermostat with electronic probe

### Consumptions

- Maximum input 2,45 kW
- Top electrical heating element 1000 W
- Bottom electrical heating element 1100 W
- Electric grill 2100 W
- Circular heating element 2100 W

### Colour range



### Finishes



### Price

Order code: OV601GT3

Black matt

### Functions

- |                            |                                |                          |
|----------------------------|--------------------------------|--------------------------|
| Pizza function             | Defrosting                     | Multiple fan cooking     |
| Multiple moist fan cooking | Intensive cooking              | Moist intensive cooking  |
| Fan grill cooking          | Grill cooking with closed door | Cooking from above       |
| Moist cooking from above   | Cooking from below             | Moist cooking from below |
| Static normal cooking      | Moist static normal cooking    | ECO cooking              |
| Hydrolysis cleaning        |                                |                          |