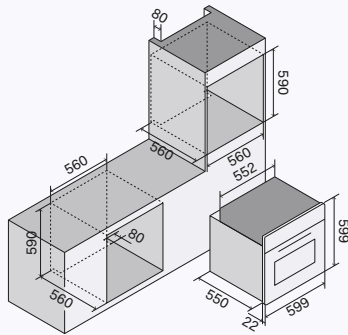


OV601NTPY

Pyrolytic electric oven, stainless steel or painted steel, 60 cm, 30-320°C



General features

- Energy class A+
- Operating temperature 30-320°C
- Programmer electronic touch TFT
- Electronic temperature control
- Cooking probe
- Lighting double internal light
- Automatic light switch-on when door opens
- Full glass oven door
- Soft-closing door
- Door glass with triple glass (EN60335-2-6-11.101)
- High density insulation
- Ventilation cooling tangential
- Child safety

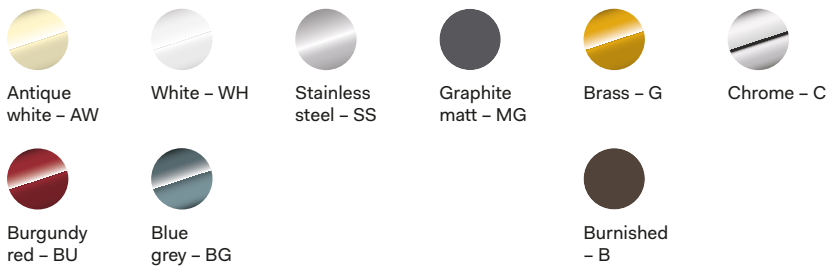
Cavity features

- Muffle with easy clean enamel
- Internal dimensions 43,7×36×41 cm
- Capacity 65 L
- Steam discharge controlled with dry or moist cooking option
- Folding grill heating element
- Thermostat with electronic probe

Consumptions

- Maximum input 2,45 kW
- Top electrical heating element 1000 W
- Bottom electrical heating element 1100 W
- Electric grill 2100 W
- Circular heating element 2100 W

Colour range



Finishes

Functions

Pizza function	Defrosting	Multiple fan cooking
Multiple moist fan cooking	Intensive cooking	Moist intensive cooking
Fan grill cooking	Grill cooking with closed door	Cooking from above
Moist cooking from above	Cooking from below	Moist cooking from below
Static normal cooking	Moist static normal cooking	ECO cooking
Intensive pyrolytic cleaning	Light pyrolytic cleaning	

Price

Order code: OV601NTPY

Brass/Chrome

Burnished