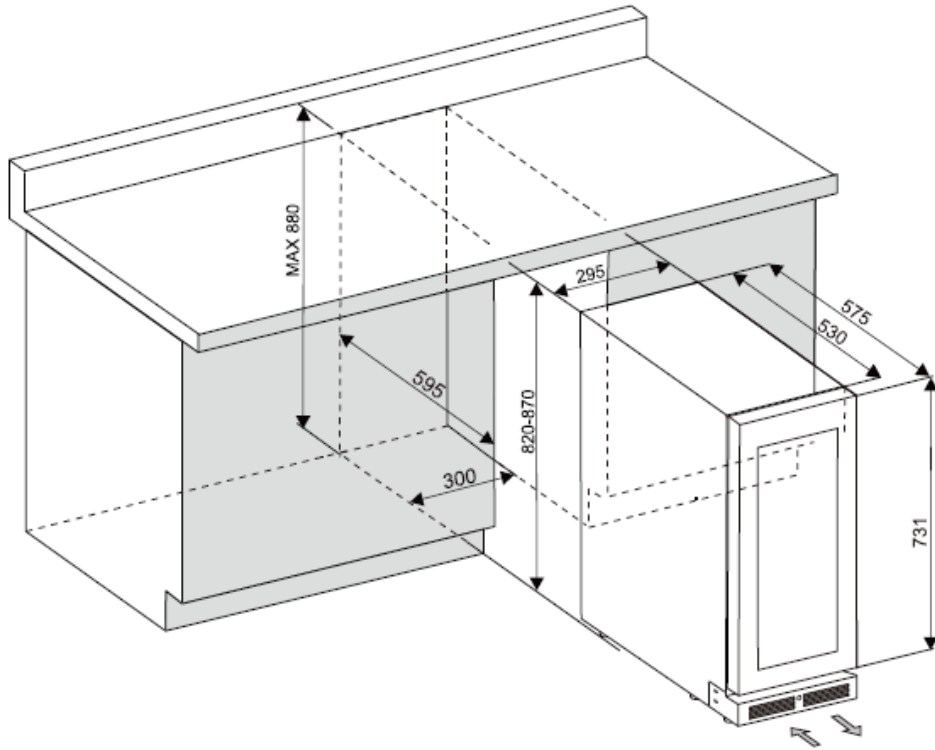
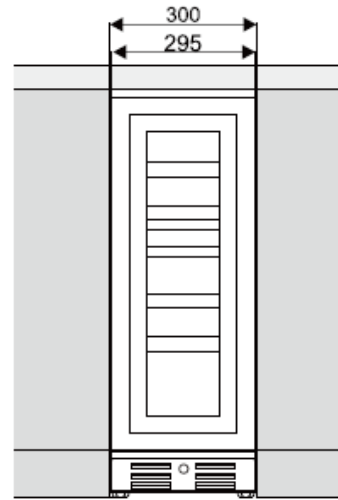


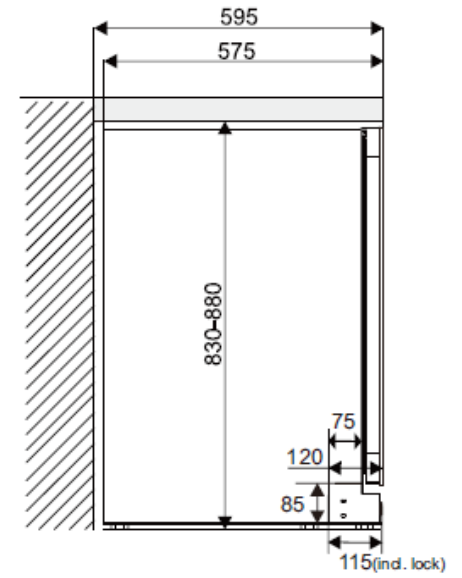
VD30SB-G2
Installation drawing (2025-05-15)



Front View



Side View



Top View

